



105 Bonnie Drive
Butler, PA 16002
724-283-4681
724-283-5939 (fax)
www.bwieagle.com

PRODUCT INFORMATION BULLETIN

AIR-EAGLE® XLT 900 MHz RF Transmitter MODEL 441-1400-BAT

DESCRIPTION

The AIR-EAGLE XLT TX is an R.F. transmitter capable of sending four independent dry-contact input commands to an Air-Eagle XLT Receiver located up to 2500 feet away (longer ranges can be achieved with external high gain antennas). Any number of transmitters and receivers can be combined to create a medium range radio frequency system that operates hazardous or hard-to-reach electrical apparatus from safe, convenient locations. Eight user-selectable frequencies allow multiple systems to operate simultaneously in the same area without interference.

APPROVALS

| | |
|---------------------|---------------|
| United States (FCC) | MCQ-XB900HP |
| Canada (IC) | 1846A-XB900HP |

INSTALLATION

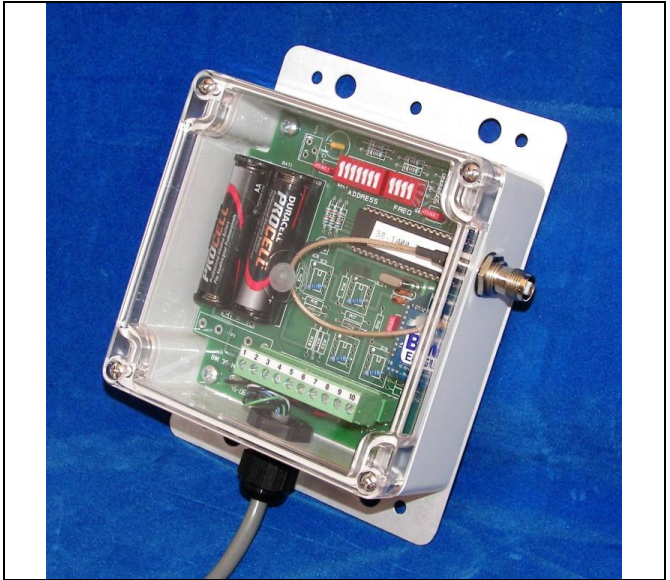
1. Mount the AIR-EAGLE XLT TRANSMITTER in a convenient location.
2. Install wiring to contact input terminal strip (Note – the terminal block header lifts up off the base for easy wiring)
3. Install the 2 AA Lithium batteries that were provided.
4. Attach supplied antenna to connector on right side of unit.

TERMINAL STRIP WIRING

| Wire as shown based on number of contact inputs | | | | | | | | | |
|---|---------|-----------|---------|-----------|---------|-----------|---------|----------|----------|
| 1 | 2 | 3 | 4 | 5 | 6 | 7 | 8 | 9 | 10 |
| C Input 1 | Input 1 | C Input 2 | Input 2 | C Input 3 | Input 3 | C Input 4 | Input 4 | Not Used | Not Used |

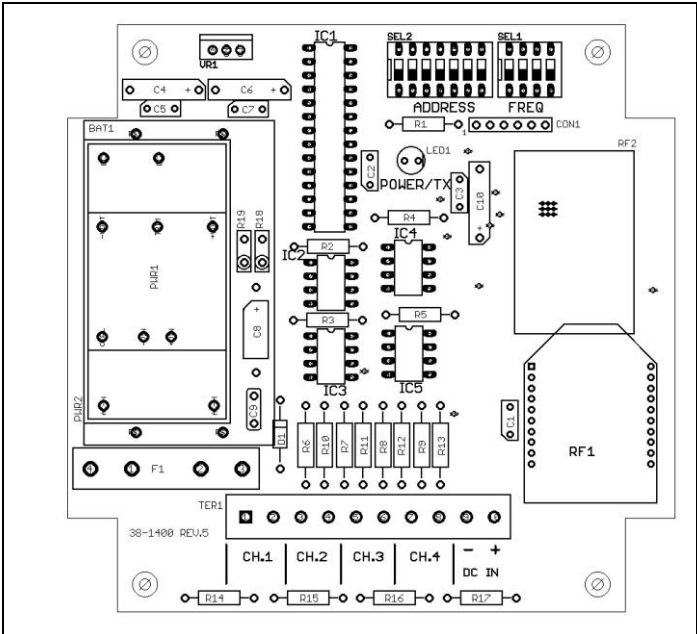
GENERAL OPERATION

A closure on any input transmits its channel command to activate the corresponding relay in the remote receiver. The transmission continues as long as the input is closed and ceases when the input opens.



Dimensions (with mounting plate) 6.3" L x 4.8" W x 2.3" H

CONTROLS & INDICATORS



| | |
|--------------------|--|
| TX LED | Illuminates green when power is applied. Changes to red while any contact input is closed and unit is transmitting. When this LED blinks briefly following a transmission, the battery needs to be replaced. |
| Dry Contact Inputs | Transmits individual RF codes to the receiver |
| SEL2 | Dip switch bank for digital address selection |
| SEL1 | Dip switch bank for frequency selection |

AIR-EAGLE® XLT

900 MHz RF Transmitter

MODEL 441-1400-BAT

DIGITAL ADDRESS & FREQUENCY SET-UP

This transmitter is factory programmed to Digital Address "1" and Frequency "1". These settings can be changed by the user in any combination **but must match the receiver that is set up to communicate with this transmitter.** **Note – only change digital address if using a digitally addressable receiver. Otherwise, the digital address must be kept at the default of Digital Address "1".**

- 1) Remove power from unit.
- 2) Remove top cover.
- 3) Select desired digital address and/or network frequency using table below.
- 4) Reattach cover and apply power.
- 5) Programming is now complete.

DIGITAL ADDRESS SET-UP

SEL2 (SW1 – 4)

| | Digital Address | SW1 | SW2 | SW3 | SW4 |
|-----------------|-----------------|--------|--------|--------|--------|
| SEL2 (SW1-4) | 1 (default) | OPEN | OPEN | OPEN | OPEN |
| | 2 | CLOSED | OPEN | OPEN | OPEN |
| | 3 | OPEN | CLOSED | OPEN | OPEN |
| | 4 | CLOSED | CLOSED | OPEN | OPEN |
| | 5 | OPEN | OPEN | CLOSED | OPEN |
| | 6 | CLOSED | OPEN | CLOSED | OPEN |
| | 7 | OPEN | CLOSED | CLOSED | OPEN |
| | 8 | CLOSED | CLOSED | CLOSED | OPEN |
| | 9 | OPEN | OPEN | OPEN | CLOSED |
| | 10 | CLOSED | OPEN | OPEN | CLOSED |
| | 11 | OPEN | CLOSED | OPEN | CLOSED |
| | 12 | CLOSED | CLOSED | OPEN | CLOSED |
| | 13 | OPEN | OPEN | CLOSED | CLOSED |
| | 14 | CLOSED | OPEN | CLOSED | CLOSED |
| | 15 | OPEN | CLOSED | CLOSED | CLOSED |
| | 16 | CLOSED | CLOSED | CLOSED | CLOSED |

SEL2 (SW5-7) – Leave in OPEN position!!

FREQUENCY SET-UP

SEL1 (SW1-3)

| | Network Frequency | SW1 | SW2 | SW3 |
|-----------------|-------------------|--------|--------|--------|
| SEL1 (SW1-3) | 1 (default) | OPEN | OPEN | OPEN |
| | 2 | CLOSED | OPEN | OPEN |
| | 3 | OPEN | CLOSED | OPEN |
| | 4 | CLOSED | CLOSED | OPEN |
| | 5 | OPEN | OPEN | CLOSED |
| | 6 | CLOSED | OPEN | CLOSED |
| | 7 | OPEN | CLOSED | CLOSED |
| | 8 | CLOSED | CLOSED | CLOSED |

SEL1 (SW4) – Not used on this model

SPECIFICATIONS

| | |
|--|--|
| Power Requirements | 3.0 VDC |
| Battery Type | (2) 1.5V lithium or alkaline each, size AA, to equal 3.0VDC nominal. |
| Battery Life (Active Usage) | Approximately 3 months |
| Battery Life (Idle) | Up to 1 Year |
| Transmit Data | Four Dry Contact Inputs |
| Transmit Frequency | 900MHz Spread Spectrum |
| RF Output Power | 250 mW |
| Transmit Range | Up to 2500 Feet w/standard antenna |
| <small>Note: Range figures are estimates, based on free-air terrain with limited sources of interference. Actual range will vary based on transmitting power, orientation of transmitter and receiver, height of transmitting antenna, height of receiving antenna, weather conditions, interference sources in the area, and terrain between receiver and transmitter, including, but not limited to, indoor and outdoor structures such as walls, metal objects, trees, buildings, hills, and mountains.</small> | |
| RF Networks | Eight Independent Frequencies |
| Enclosure | Polycarbonate, IP66 (NEMA 4) |
| Operating Temperature | -40° F to +185° F |

ACCESSORIES

| Standard Antenna (Included): | |
|--|----------------------------------|
| 900MHz TNC "Rubber Duck" Antenna | 49-1103 |
| Mobile/Base Antennas – Used to help achieve max range in both non line of sight and line of sight applications. - Contact BWI Eagle for recommendations | |
| 900MHz Thru-Hole Mount Mobile Antenna | 49-2101 |
| 900MHz Magnet Mount Mobile Antenna | 49-2102 |
| 900MHz Omni Directional Base Antenna | 49-3101 |
| 900MHz Yagi Directional Base Antenna | 49-3102 |
| High Quality Coax Cables – Used to connect external high gain antennas to control unit | |
| Flex Coax Cable w/Connectors – Available in 5', 15', 25', 30', 40', 60', 80', 100' Lengths | 49-4000-XX (XX = # of Feet) |
| Bulkhead Extensions – Used to provide an external antenna connection when mounting control unit inside another enclosure | |
| TNC Male to TNC Bulkhead Cable Assembly - Available in 2', 4', 7' Lengths | 49-5004-X-ISO (X = # of Feet) |

LIMITED WARRANTY STATEMENT

BWI Eagle Inc. warrants the Air-Eagle Remote Control System, if properly used and installed, will be free from defects in material and workmanship for a period of 1 year after date of purchase. Said warranty to include the repair or replacement of defective equipment. This warranty does not cover damage due to external causes, including accident, problems with electrical power, usage not in accordance with product instructions, misuse, neglect, alteration, repair, improper installation, or improper testing. This limited warranty, and any implied warranties that may exist under state law, apply only to the original purchaser of the equipment, and last only for as long as such purchaser continues to own the equipment. This warranty replaces all other warranties, express or implied including, but not limited to, the implied warranties of merchantability and fitness for a particular purpose. BWI Eagle makes no express warranties beyond those stated here. BWI disclaims without limitation, implied warranties of merchantability and fitness for a particular purpose. Some jurisdictions do not allow the exclusion of implied warranties so this limitation may not apply to you. To obtain warranty service, contact BWI Eagle for a return material authorization. When returning equipment to BWI Eagle, the customer assumes the risk of damage or loss during shipping and is responsible for the shipping costs incurred.

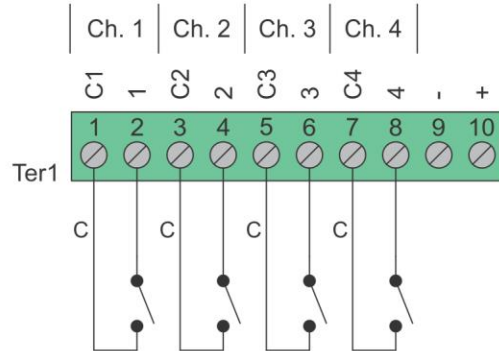


105 Bonnie Drive
Butler, PA 16002
724-283-4681
724-283-5939 (fax)
www.bwieagle.com

DRY CONTACT INPUT WIRING 4-Input Transmitter

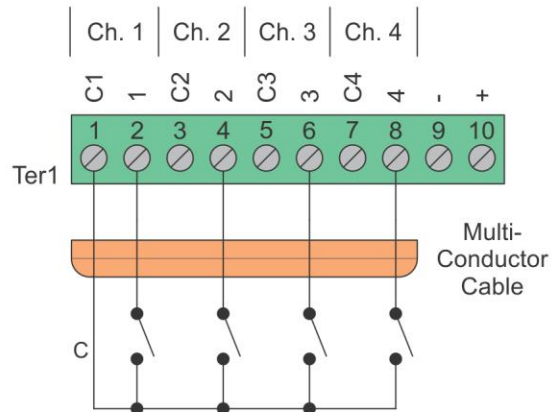
Standard wiring of a dry contact input transmitter

Shorting together the contacts of the respective channel will cause it to transmit. This can be done with any type of manual or automatic switch.



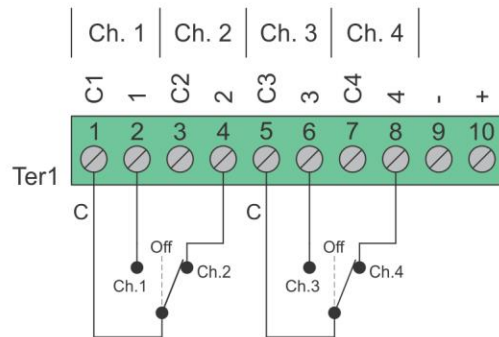
Standard Wiring for Common Ground Applications

Because each channel shares a common (C) terminal, inputs can be wired as shown to allow for fewer conductors to be run to the transmitter.



SPDT Switches

The common (C) terminal of the switch only needs to be connected to one of the channels ground terminal. In this configuration two channels would be transmitting all the time. A switch with a center "off" position would allow transmitting to stop. In this example channels 2 and 4 are transmitting.



Wiring configurations shown here are examples. The wiring for your application may differ. Call BWI Eagle for assistance or consult an electrician.